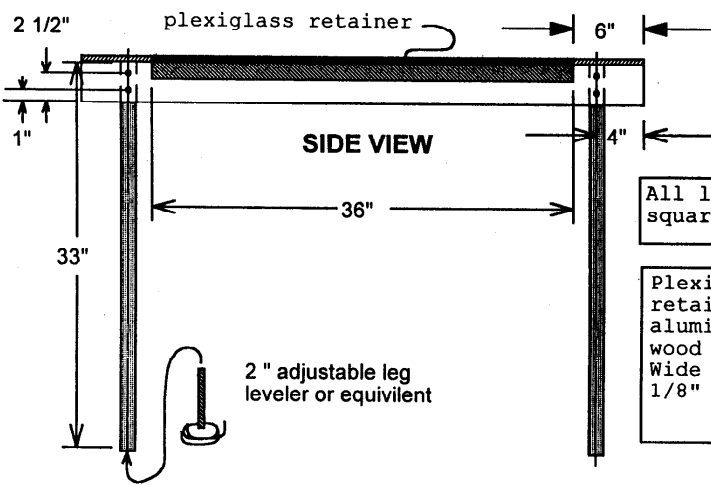
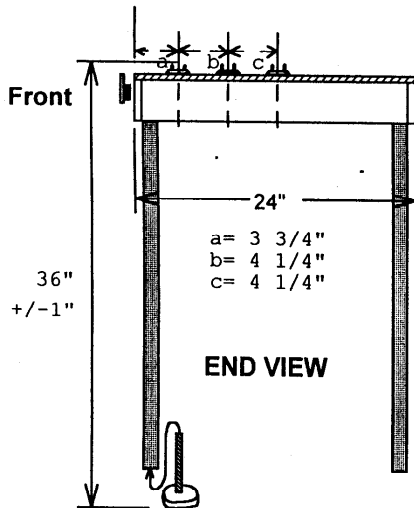
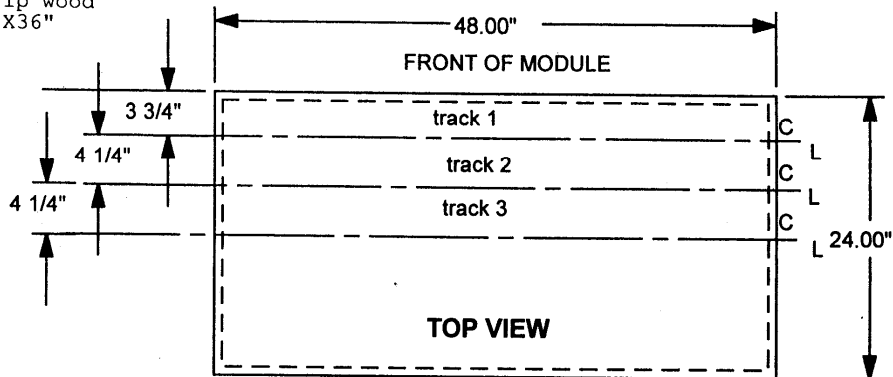
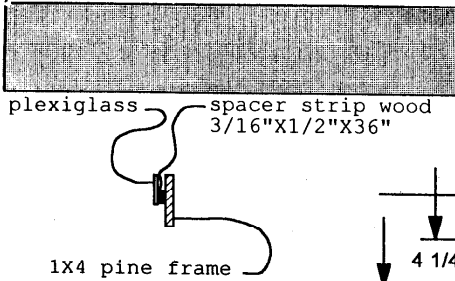


Independent Hi-Railers

Standard Straight Module



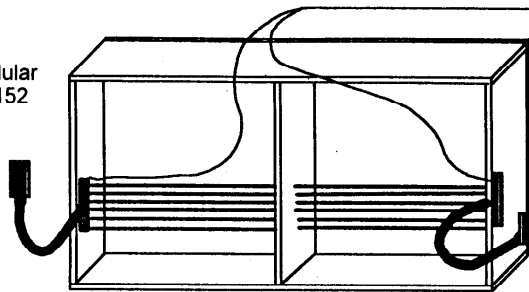
All legs 5/4" square stock

Plexiglass retainer
alumin. or wood strip 2" Wide X 36"L X 1/8"

Standard height for all modules 36" from floor to top of rail adjustable 1" +/- . Use 5/16" tee nuts in bottom of legs

Typical Module view underside

Radio Shack modular plug male # 274-152



6 position barrier terminal strip

Radio Shack modular plug female # 274-155

See "Standard Module Wiring" page for Radio Shack connector wiring

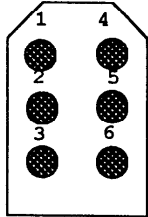
All framework, 1X4 pine tabletop 1/2" plywood

Front of Module

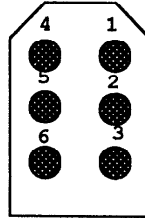
6 Pos. Terminal Strip	274-155	274-152 M
1 track 1 power	1	1
2 track 2 power	2	2
3 track 3 power	3	3
4 ground	4	4
5 accessory pwr	5	5
6 spare	6	6

All wire should be minimum 16ga. stranded, or equivalent. Wire is normally run from barrier terminal strip, to barrier terminal strip using the center wooden cross brace as a wire retainer. Use insulated wire spade tip lugs sized for 14/16 ga. wire, and a #8 or #10 screw. Use splice tap connectors, or equiv. to connect the feed wires to the main buss wires.

Female RS Modular plug
part # 274-155

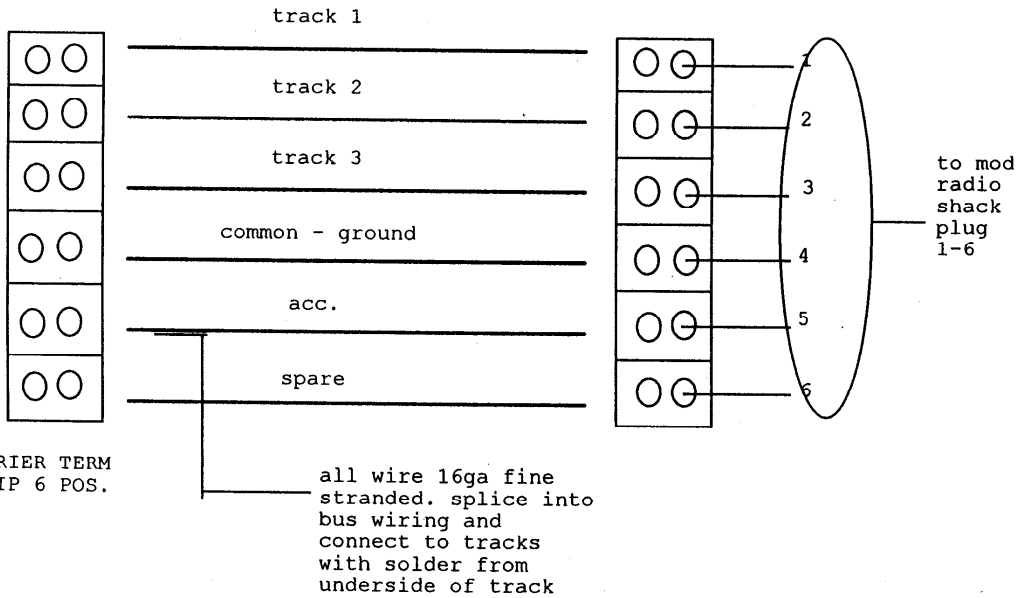


Male RS Modular Plug
part # 274-152



view of radio shack
modular plugs from
rear. numbers are
visable in molded
plastic, letters are
raised.

wired same
as diagram
to right



BARRIER TERM
STRIP 6 POS.

all wire 16ga fine
stranded. splice into
bus wiring and
connect to tracks
with solder from
underside of track

Standard Module wiring Plan